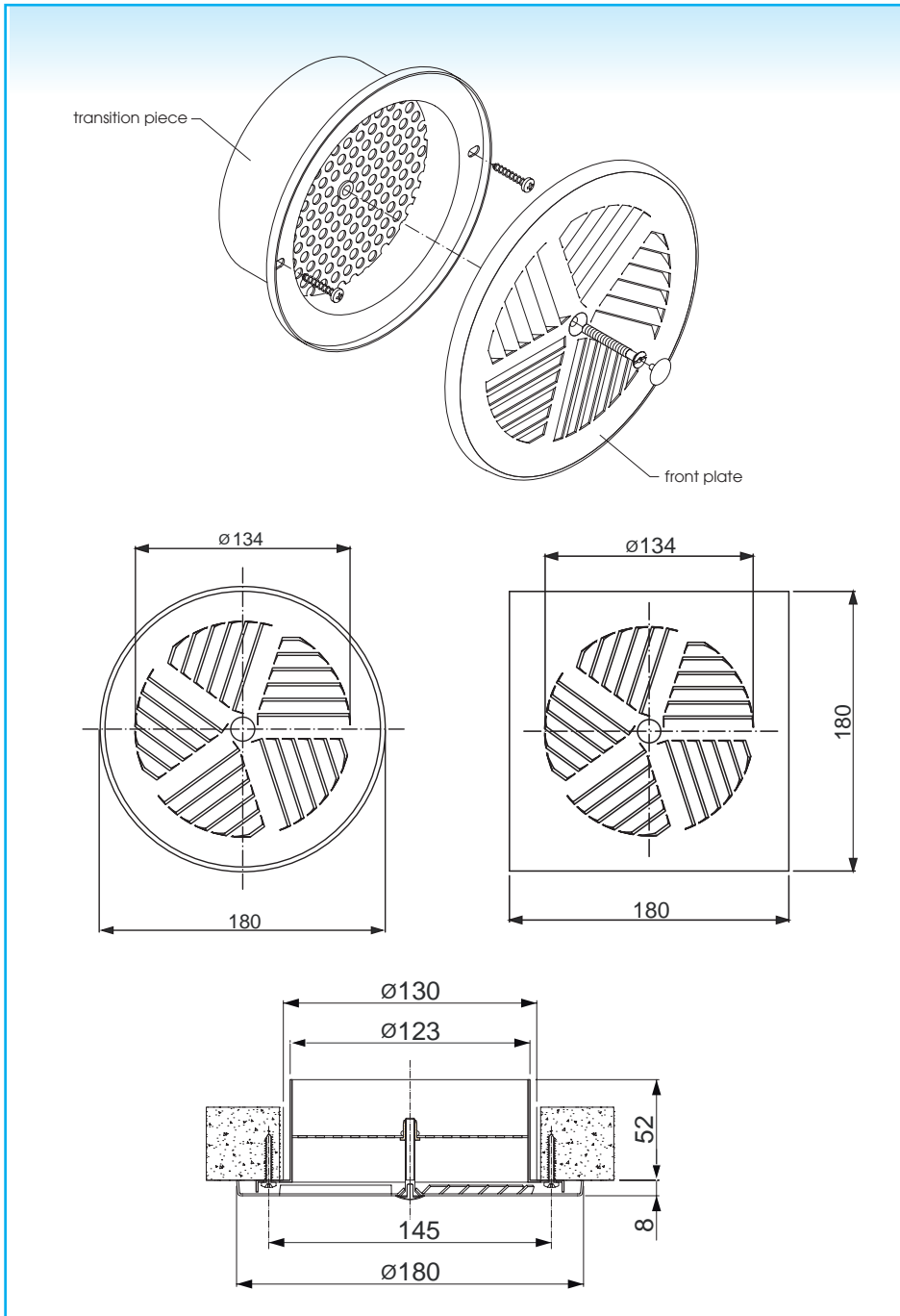
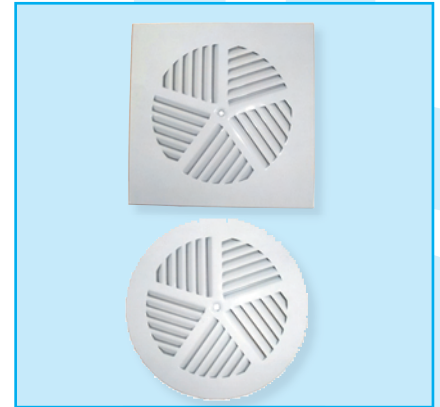


STAIRCASE SWIRL DIFFUSER WGR • WGS

Installation dimensions



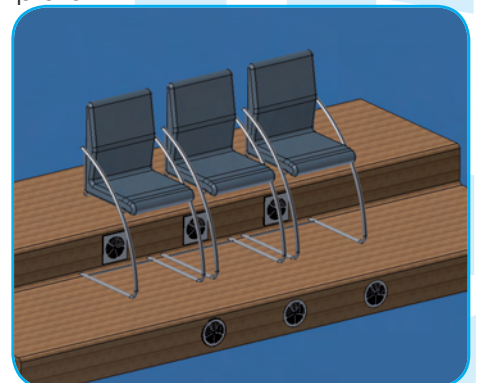
All dimensions in mm



Application

The staircase swirl diffuser type WG is suitable for the input of warm or cool air in places such as schools, theatres, cinemas, concert halls, ...

The diffuser is fitted out with fixed strips in a square or round front plate.



Technical information

Characteristics:

Diffuser with central hole can be detached from transition piece.

Construction:

- Diffuser; made of steel and painted white (RAL 9010)
- Transition piece with connector

Specification description

Example:

Square steel staircase swirl diffusers with fixed blades in a square front plate with an exterior dimension of 180 mm and transition piece fitted with a connector of \varnothing 125 mm. The diffuser is painted white (RAL 9010).

Type: WGSD 125

Accessories

GR003:

Hanging bracket for direct assembly in the duct

How to order

