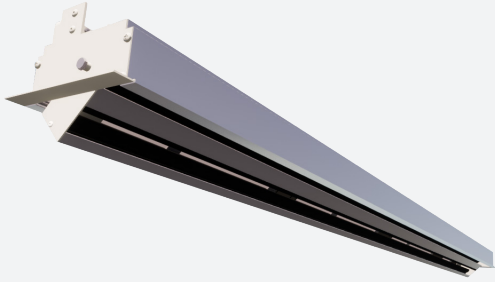


SLF

ALUMINIUM ADJUSTABLE
SLOT DIFFUSER WITH FLANGE,
WITH FILTER ACCESS DOOR



VARIANTS

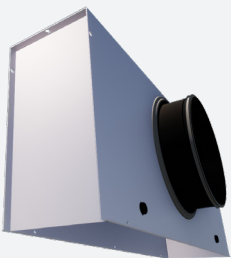
SLF, SLF_P

The adjustable slot diffuser type SLF is suitable for filtration of exhaust air. Each slot is individually adjustable and is equipped with 2 specially designed discrete deflectors. Available in several lengths and in a panel version for modular system ceilings. Easy access to the plenum via magnetic door to replace filters.

Sleek design with discrete aluminium deflectors (Slot width 25mm)

With easy access door to the plenum to replace filters

ACCESSORIES



SPF



FI-05



ADJUSTABLE



LINEAR



CEILING



3 WAY THROW



2 WAY THROW



1 WAY THROW



LINEAR



EXHAUST

TECHNICAL INFORMATION

| | | |
|--------------|---------------------------|---|
| APPLICATION | Airflow direction | Lateral, axial, adjustable |
| | Airflow type | Linear, exhaust |
| CONSTRUCTION | Shape | Linear |
| | Min. Length | 300mm |
| | Max. length | 1500mm |
| | Available steps in length | 1mm |
| | Number of slots | 2,3,4,5,6 |
| | Flange size | 14mm |
| | Slot width | 25mm |
| | Panel width (SLF_P) | Standard 300mm |
| MATÉRIEL | Standard material | Extruded aluminium |
| | Standard finishing | Powder coating RAL9010 |
| | Product finishing options | Powder coating RAL |
| | Deflectors | Powder coated extruded aluminium |
| | Deflector fixation piece | POM |
| | Panel | Powder coated steel sheet metal |
| MATERIAL | Mounting options | Fixed mounting on SPF plenum box |
| PLENUM | Material | Galvanised (275g/m ²) steel sheet, PP/TPE spigot |
| | Optional insulation | Melamine 6mm |
| | Spigot | Class D spigot with double lip seal |
| | Mounting options | Mounting eyes (Ø7mm) standard, mounting brackets available upon request |

QUICK SELECTION

| | Exhaust Qv [m ³ /h] | L [mm] | | |
|-------|--------------------------------|----------------|-----|------|
| | | L _w | 600 | 1000 |
| SLF-2 | 25 dB(A) | 150 | 231 | 322 |
| | 35 dB(A) | 213 | 328 | 457 |
| SLF-3 | 25 dB(A) | 228 | 350 | 486 |
| | 35 dB(A) | 327 | 503 | 698 |
| SLF-4 | 25 dB(A) | 265 | 407 | 566 |
| | 35 dB(A) | 377 | 580 | 807 |
| SLF-5 | 25 dB(A) | 299 | 452 | 618 |
| | 35 dB(A) | 461 | 696 | 952 |
| SLF-6 | 25 dB(A) | 358 | 530 | 711 |
| | 35 dB(A) | 604 | 894 | 1200 |

EFFECTIVE AIR DISCHARGE AREA

| Exhaust A _e [m ² /m] | SLF-2 | SLF-3 | SLF-4 | SLF-5 | SLF-6 |
|--|--------|--------|--------|--------|--------|
| | 0.0323 | 0.0484 | 0.0646 | 0.0807 | 0.0968 |

PRODUCT KEY

| SLOT DIFFUSER SLF WITH ACCESS DOOR | | | | | | | | | | | | | | | |
|------------------------------------|---|---|---|---|---|---|---|---|---|---|--|---|---|---|---|
| S | L | F | 1 | 2 | - | F | 1 | 2 | 0 | 0 | 0 | 0 | 0 | 0 | 0 |
| | | | | | | | Slot length L (mm): From 300 to 1500mm, per 1mm | | | | Panel size L2 (mm): From 350 to 2055, per 1mm | | | | |
| | | | | | | | F: Coated | | | | | | | | |
| | | | | | | | -: Standard P: Panel with 4 raised edges of 10 mm Z: Panel with 2 sides fine line 5/8 on the short side and 2 raised edges of 10 mm on the long side Q: Square panel with 4 raised edges of 10 mm Y: Square panel with 4 sides fine line 5/8 | | | | | | | | |
| | | | | | | | 2: 2 slots 3: 3 slots 4: 4 slots 5: 5 slots 6: 6 slots | | | | | | | | |
| | | | | | | | 0: Without deflectors, without spacers 1: Black deflectors RAL9005 MATT, black spacers 2: White deflectors RAL9010, white spacers 3: White deflectors RAL9016 MATT, white spacers 4: White deflectors RAL9003 MATT, white spacers 5: Deflectors painted in color by choice, black spacers 6: Deflectors painted in color by choice, white spacers | | | | | | | | |

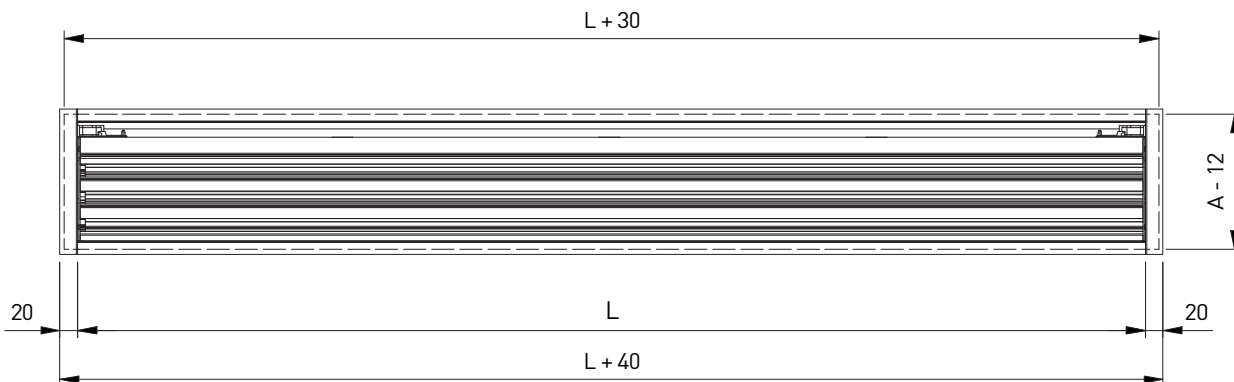
| PLENUM SPF WITH FILTER CLAMPS FOR DIRECT MOUNTING ON SLOT DIFFUSER SLF (PANEL VERSION INCL.) | | | | | | | | | | | | | | | | | |
|--|---|---|---|---|---|---|---|--|---|--|---|---|--|---|---|---|---|
| S | P | F | 0 | 2 | - | S | - | | 0 | 0 | 1 | 6 | 0 | 1 | 2 | 0 | 0 |
| | | | | | | | | | | Nominal diameter (mm): 80, 100, 125, 160, 200, 250, or 315 | | | Slot length L (mm): From 300 to 1500mm, per 1mm | | | | |
| | | | | | | | | | | Slot length <=1200: 1 diameter | | | | | | | |
| | | | | | | | | | | Slot length >=1201: 2 diameters | | | | | | | |
| | | | | | | | | | | 0: Without mounting straps 1: With mounting straps | | | | | | | |
| | | | | | | | | | | -: Without damper | | | | | | | |
| | | | | | | | | | | -: Non insulated plenum G: Insulated plenum H: Half insulated plenum | | | | | | | |
| | | | | | | | | | | S: Side connection | | | | | | | |
| | | | | | | | | | | -: Standard | | | | | | | |
| | | | | | | | | | | 2: 2 slots 3: 3 slots 4: 4 slots 5: 5 slots 6: 6 slots | | | | | | | |

PRODUCT KEY

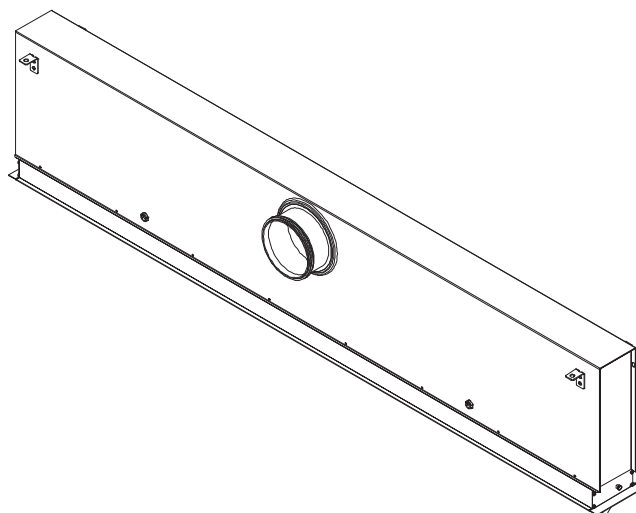
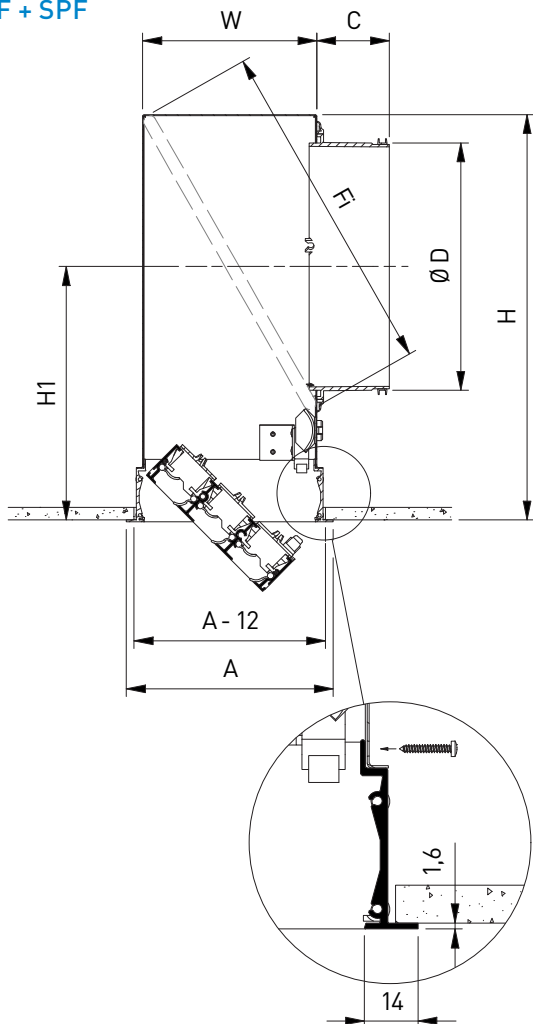
| SLOT DIFFUSER SLF WITH PLENUM SPF (MOUNTED) | | | | | | | | | | | | | | | | | | |
|---|---|---|---|---|---|---|---|---|---|---|---|---|---|--|---|---|---|---|
| S | L | F | 1 | 2 | P | F | S | - | - | 0 | 1 | 2 | 0 | 0 | 1 | 2 | 5 | 0 |
| | | | | | | | | | | | Slot length L (mm): From 300 to 1500mm, per 1mm | | | Panel size L2 (mm): From 350 to 2055, per 1mm | | | | |
| | | | | | | | | | | | 0: Without mounting straps 1: With mounting straps | | | | | | | |
| | | | | | | | | | | | - : Without damper | | | | | | | |
| | | | | | | | | | | | -: Non insulated plenum G: Insulated plenum H: Half insulated plenum | | | | | | | |
| | | | | | | | | | | | S: Side connection | | | | | | | |
| | | | | | | | | | | | F: Coated | | | | | | | |
| | | | | | | | | | | | -: Standard P: Panel with 4 raised edges of 10 mm Z: Panel with 2 sides fine line 5/8 on the short side and 2 raised edges of 10 mm on the long side Q: Square panel with 4 raised edges of 10 mm Y: Square panel with 4 sides fine line 5/8 | | | | | | | |
| | | | | | | | | | | | 2: 2 slots 3: 3 slots 4: 4 slots 5: 5 slots 6: 6 slots | | | | | | | |
| | | | | | | | | | | | 0: Without deflectors, without spacers 1: Black deflectors RAL9005 MATT, black spacers 2: White deflectors RAL9010, white spacers 3: White deflectors RAL9016 MATT, white spacers 4: White deflectors RAL9003 MATT, white spacers 5: Deflectors painted in color by choice, black spacers 6: Deflectors painted in color by choice, white spacers | | | | | | | |

| WIRE FRAME FILTER | | | | | | | | | | | | | |
|-------------------|---|---|---|---|---|---|---|---|---|--|---|---|-------------------|
| F | I | 3 | 0 | 5 | 1 | 2 | 0 | 0 | 0 | 2 | 0 | 8 | |
| | | | | | | | | | | Slot length L (mm): From 300 to 1500mm, per 1mm | | | Filter width (mm) |
| | | | | | | | | | | 2: Wire mesh filter thickness 5mm - Class G2 3: Wire mesh filter thickness 5mm - Class G3 4: Wire mesh filter thickness 5mm - Class G4 | | | |

CEILING OPENING: L+30 x A-12



SLF + SPF



DIMENSIONS

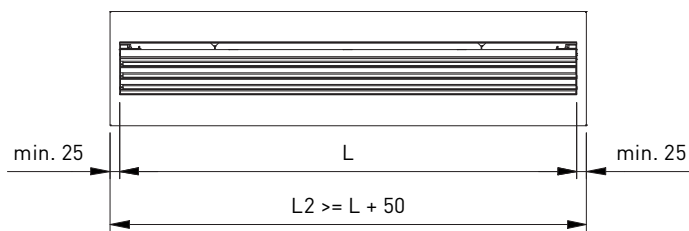
| | Number of slots - SLF + SPF | | | | |
|-----------|-----------------------------|---------|---------|---------|---------|
| | 2 | 3 | 4 | 5 | 6 |
| A | 121 | 164 | 207 | 252 | 295 |
| C | 58 | 58 | 58 | 78 | 78 |
| ØD | 158 | 198 | 198 | 248 | 248 |
| Fi | L x 208 | L x 272 | L x 296 | L x 363 | L x 390 |
| H | 281 | 321 | 321 | 371 | 371 |
| H1 | 181 | 201 | 201 | 226 | 226 |
| W | 94 | 137 | 180 | 225 | 268 |

All dimensions in mm

L <= 1200: 1 diameter
L >= 1201: 2 diameters

PANEL VERSION

SLF_P



DIMENSIONS

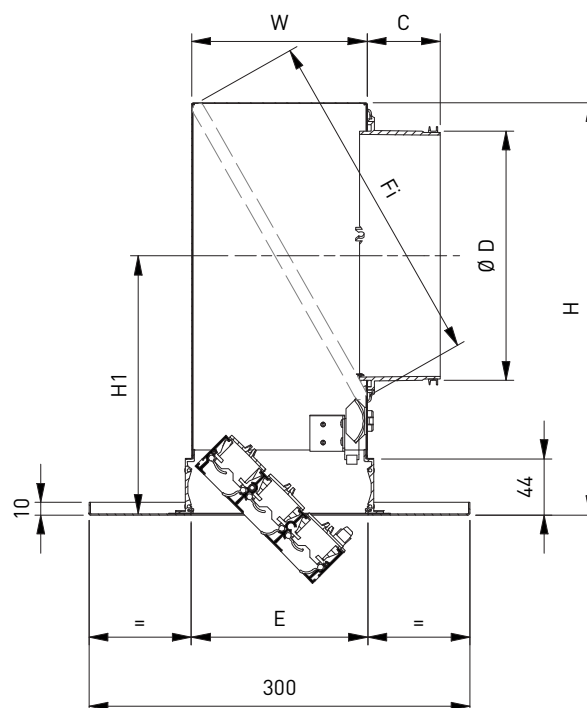
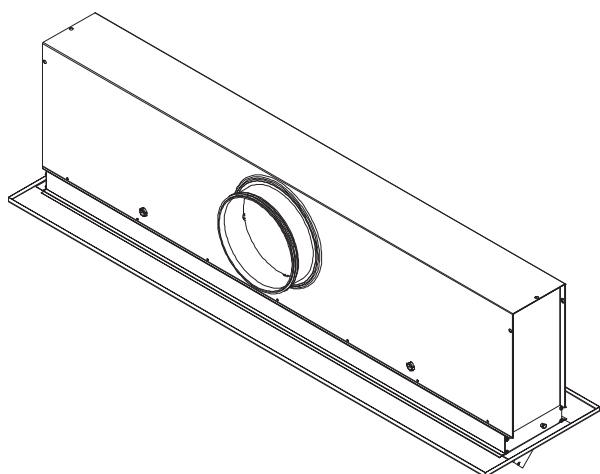
| | Number of slots - SLF_P/_Q/_Z/_Y + SPF | | | | |
|-----------|--|---------|---------|---------|---------|
| | 2 | 3 | 4 | 5 | 6 |
| C | 58 | 58 | 58 | 78 | 78 |
| ØD | 158 | 198 | 198 | 248 | 248 |
| E | 93 | 136 | 179 | 223 | 267 |
| Fi | L x 208 | L x 272 | L x 296 | L x 363 | L x 390 |
| H | 281 | 321 | 321 | 371 | 371 |
| H1 | 181 | 201 | 201 | 226 | 226 |
| W | 94 | 137 | 180 | 225 | 268 |

All dimensions in mm

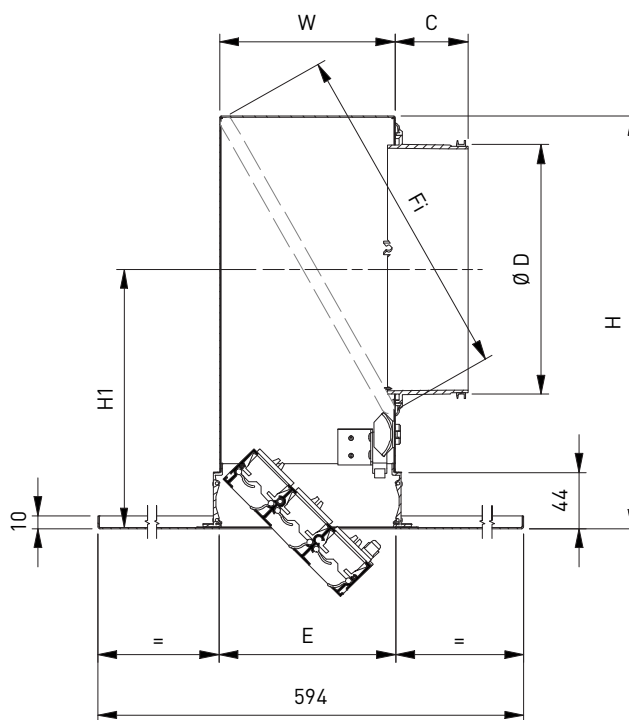
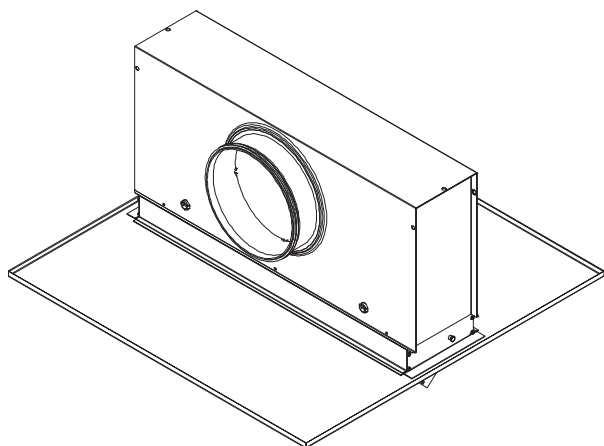
L ≤ 1200: 1 diameter

L ≥ 1201: 2 diameters

SLF_P + SPF

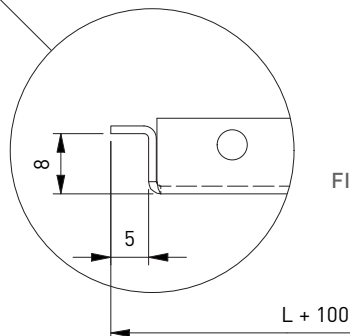
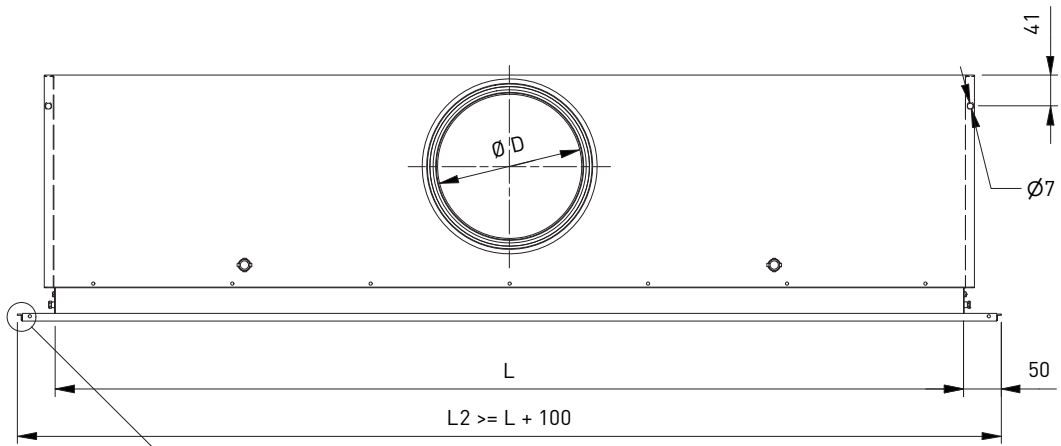
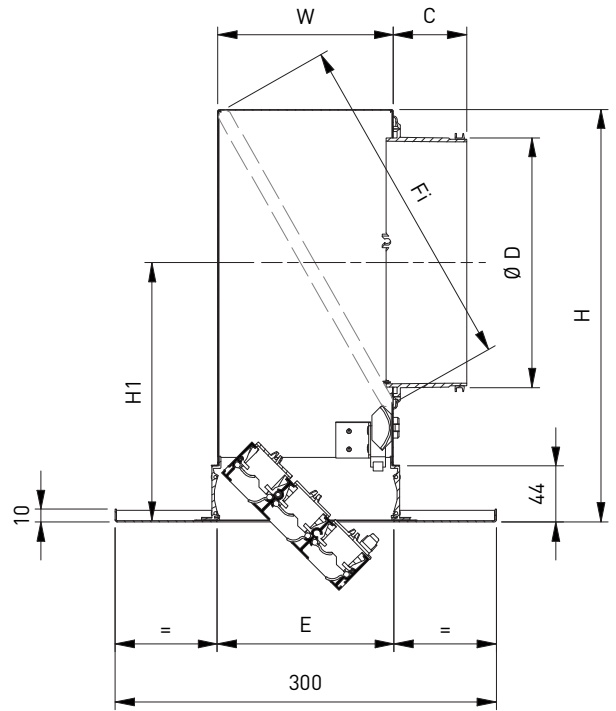
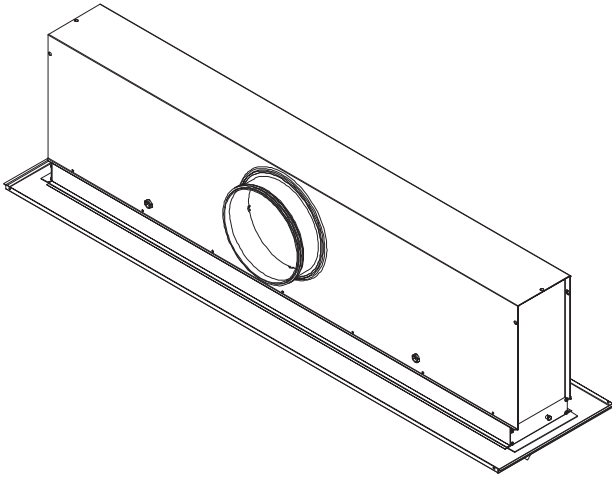


SLF_Q + SPF



PANEL VERSION WITH FINE LINE

SLF_Z + SPF



FINE LINE ON TWO SIDES

SLF_Y + SPF

