

# W-330

## ALUMINIUM EXTERNAL LOUVRE



### VARIANTS

WA330, WB330, WF330

The aluminium external louvre, type W-330, is suitable for the intake or exhaust of smaller air volumes in airhandling systems. The Z-shaped blades with 33mm step provide good protection against rain. Available in three executions, with/without pre-drilled screw holes in the frame or wall anchors. Optionally available with insect screen.

### Weatherproof

Z-shaped blades under 60° with 33mm step

Available with/without pre-drilled screw holes or wall anchors

### TECHNICAL INFORMATION

<b>APPLICATION</b>	Type	Intake or exhaust
<b>CONSTRUCTION</b>	Center distance between blades	33mm, 60° deflection
	Min. Length	150mm
	Available steps in length	1mm
	Min. Height	150mm
	Available steps in height	10mm
	Max. length/height (unpainted)	2000x2000mm
	Max. length/height (painted version)	2000x1700 or 1700x2000mm
<b>MATERIAL</b>	Standard material	Anodized aluminium
	Standard finishing	Satin anodized 11µm
	Product finishing options	Powder coating RAL of choice
<b>MOUNTING</b>	Mounting options	With or without pre-drilled screw holes in the frame, or available with wall anchors

### EFFECTIVE AIR DISCHARGE AREA

Supply/Exhaust $A_f$ [m <sup>2</sup> ]												
H [mm]	L [mm]											
	200	300	400	500	600	800	1000	1200	1400	1600	1800	2000
200	0.015	0.023	0.031	0.039	0.047	0.063	0.079	0.095	0.111	0.127	0.143	0.159
300	0.023	0.035	0.047	0.060	0.072	0.097	0.121	0.146	0.170	0.195	0.220	0.244
400	0.031	0.047	0.064	0.081	0.097	0.130	0.164	0.197	0.230	0.263	0.296	0.330
500	0.039	0.060	0.081	0.102	0.122	0.164	0.206	0.248	0.290	0.331	0.373	0.415
600	0.047	0.072	0.097	0.122	0.148	0.198	0.248	0.299	0.349	0.400	0.450	0.500
800	0.063	0.097	0.130	0.164	0.198	0.266	0.333	0.401	0.468	0.536	0.604	0.671
1000	0.079	0.121	0.164	0.206	0.248	0.333	0.418	0.503	0.588	0.672	0.757	0.842
1200	0.095	0.146	0.197	0.248	0.299	0.401	0.503	0.605	0.707	0.809	0.911	1.013
1400	0.111	0.170	0.230	0.290	0.349	0.468	0.588	0.707	0.826	0.945	1.064	1.184
1600	0.127	0.195	0.263	0.331	0.400	0.536	0.672	0.809	0.945	1.082	1.218	1.354
1800	0.143	0.220	0.296	0.373	0.450	0.604	0.757	0.911	1.064	1.218	1.372	1.525
2000	0.159	0.244	0.330	0.415	0.500	0.671	0.842	1.013	1.184	1.354	1.525	1.696

## QUICK SELECTION

Q <sub>v</sub> [m <sup>3</sup> /h] Intake - v <sub>eff</sub> =2,0m/s												
H [mm]	L [mm]											
	200	300	400	500	600	800	1000	1200	1400	1600	1800	2000
200	108	165	223	280	338	453	568	684	799	914	1029	1144
300	165	252	338	432	518	698	871	1051	1224	1404	1584	1756
400	223	338	460	583	698	936	1180	1418	1656	1893	2131	2376
500	280	432	583	734	878	1180	1483	1785	2088	2383	2685	2988
600	338	518	698	878	1065	1425	1785	2152	2512	2880	3240	3600
800	453	698	936	1180	1425	1915	2397	2887	3369	3859	4348	4831
1000	568	871	1180	1483	1785	2397	3009	3621	4233	4838	5450	6062
1200	684	1051	1418	1785	2152	2887	3621	4356	5090	5824	6559	7293
1400	799	1224	1656	2088	2512	3369	4233	5090	5947	6804	7660	8524
1600	914	1404	1893	2383	2880	3859	4838	5824	6804	7790	8769	9748
1800	1029	1584	2131	2685	3240	4348	5450	6559	7660	8769	9878	10980
2000	1144	1756	2376	2988	3600	4831	6062	7293	8524	9748	10980	12211

Q <sub>v</sub> [m <sup>3</sup> /h] Discharge - v <sub>eff</sub> =3,0m/s												
H [mm]	L [mm]											
	200	300	400	500	600	800	1000	1200	1400	1600	1800	2000
200	162	248	334	421	507	680	853	1026	1198	1371	1544	1717
300	248	378	507	648	777	1047	1306	1576	1836	2106	2376	2635
400	334	507	691	874	1047	1404	1771	2127	2484	2840	3196	3564
500	421	648	874	1101	1317	1771	2224	2678	3132	3574	4028	4482
600	507	777	1047	1317	1598	2138	2678	3229	3769	4320	4860	5400
800	680	1047	1404	1771	2138	2872	3596	4330	5054	5788	6523	7246
1000	853	1306	1771	2224	2678	3596	4514	5432	6350	7257	8175	9093
1200	1026	1576	2127	2678	3229	4330	5432	6534	7635	8737	9838	10940
1400	1198	1836	2484	3132	3769	5054	6350	7635	8920	10206	11491	12787
1600	1371	2106	2840	3574	4320	5788	7257	8737	10206	11685	13154	14623
1800	1544	2376	3196	4028	4860	6523	8175	9838	11491	13154	14817	16470
2000	1717	2635	3564	4482	5400	7246	9093	10940	12787	14623	16470	18316

PRODUCT KEY

ALUMINIUM EXTERNAL LOUVRE WITH 33 MM STEP

W	F	3	3	2	-	-	0	4	0	0	0	4	0	0
---	---	---	---	---	---	---	---	---	---	---	---	---	---	---

Nominal length L (mm):  
From 100 to 2000mm, per  
1mm

Nominal height H (mm):  
From 150 to 2000mm, per  
10mm

-: Anodized  
 F: Coated

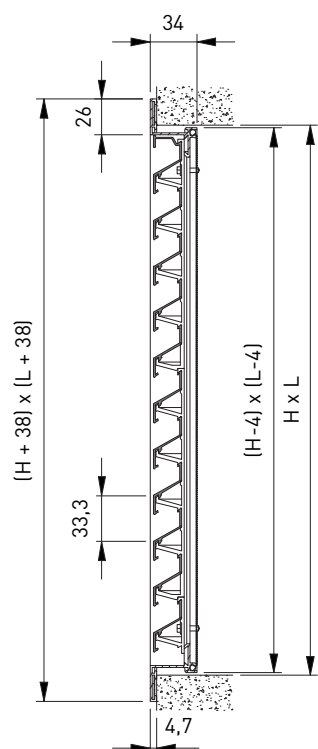
-: Standard

0: Grille without insect screen  
2: Grille with grey fibreglass insect screen, mesh size 1,6x1,4mm

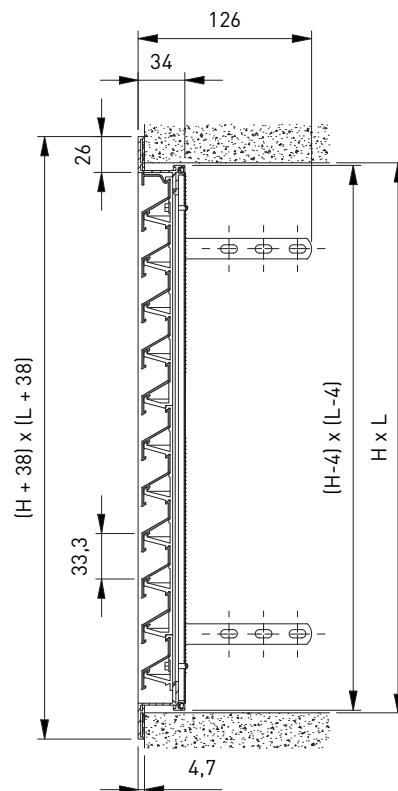
A: Frame without screw holes, without wall anchors  
B: Frame without screw holes, with wall anchors  
F: Frame with screw holes , without wall anchors

Note:  
Painted grilles max length or height <= 1700mm

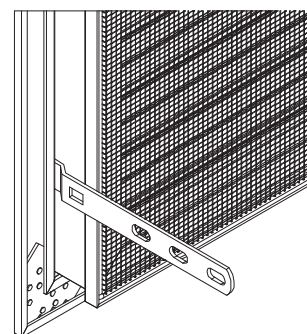
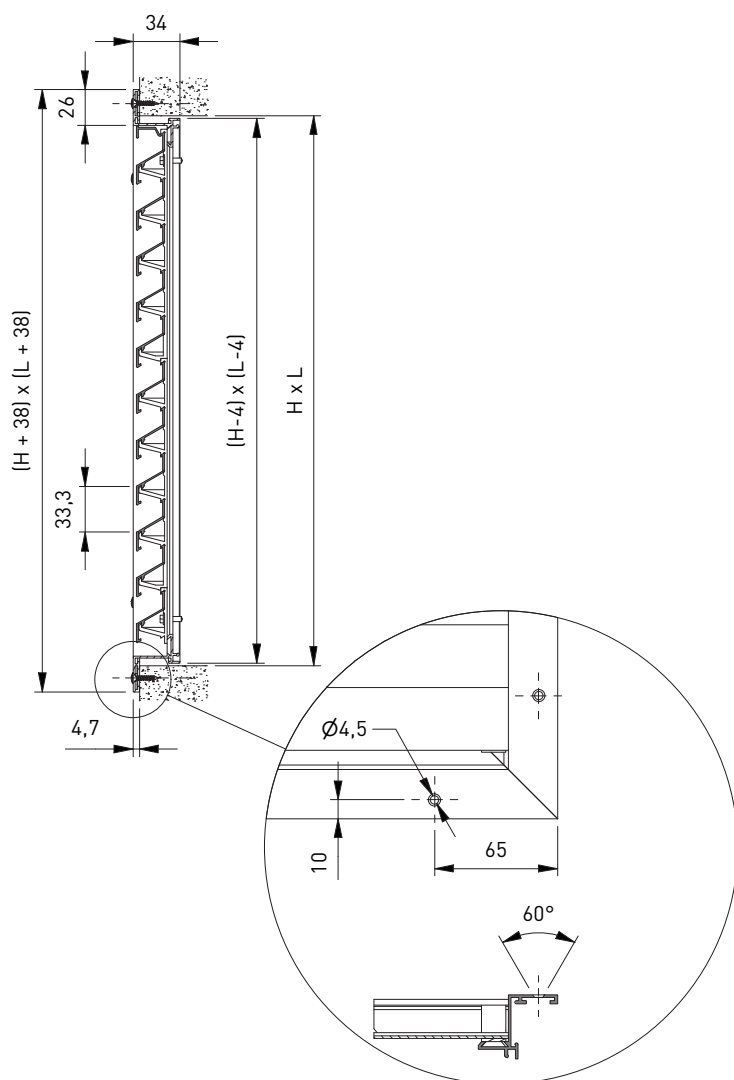
WA330



WB330



WF330



SCREW HOLE LOCATION IN THE FRAME

Nom. H	Nom.L 525	1025	1500	2000
150				
525				
1000				
1500				
2000				