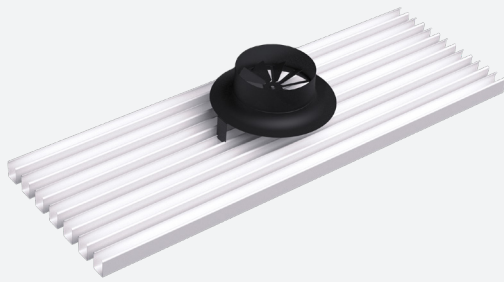


WR230-SAPP

CIRCULAR SWIRL DIFFUSERS
FOR INTERALU SAPP CEILING



VARIANTS

WR230-SAPP

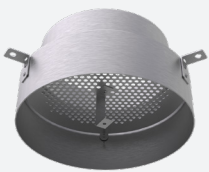
The swirl diffuser type WR230-SAPP (based on the Grada WR230) is used for ventilation from a concealed position above an Interalu SAPPceiling®. This diffuser with integrated mounting brackets can be installed directly on top of the ceiling slats without any additional tools. A high induction is obtained because of the exceptional swirl discharge, which makes them very suitable for VAV applications. This product is ideal for the supply of fresh air in climate ceilings.

Concealed position

Integrated mounting brackets for direct installation on ceiling slats

Mounting possible without additional tools

ACCESSORIES



WP210T



WP210L--0SAPP

TECHNICAL INFORMATION

APPLICATION	Type	Supply or exhaust
	Airflow direction	Horizontal
FRONTPLATE	Standard material	Powder coated sheet steel
	Standard finishing	Powder coating RAL9005
	Nominal sizes	Ø 100, 125, 160, 200, 250mm
TRANSITION PIECE WP210T	Standard material	Brut aluminium
	Mounting options	Equipped with mounting straps
REDUCED PLENUM PLENUM WP210L	Standard material	Galvanised (275g/m ²) sheet steel
	Spigot plenum	PP/TPE spigot, Class D spigot with double lip seal
	Insulation (optional)	Melamine 6mm
	Volume control (optional)	Galvanised perforated volume flow controller with manual operation
	Mounting options	Equipped with mounting eyes (Ø 7mm), mounting straps available upon request

QUICK SELECTION

Supply Q _v [m ³ /h]				
ØN [mm]	L _w	WR230-SAPP	WR230-SAPP + WP210T	WR230-SAPP + WP210L--0SAPP
100	25 dB(A)	37	-	-
	35 dB(A)	54	-	-
125	25 dB(A)	50	53	45
	35 dB(A)	81	77	69
160	25 dB(A)	88	84	74
	35 dB(A)	134	121	111
200	25 dB(A)	137	128	114
	35 dB(A)	203	184	170
250	25 dB(A)	221	214	210
	35 dB(A)	333	302	309

EFFECTIVE AIR DISCHARGE AREA

Supply A _k [m ²]	ØN [mm]				
	100	125	160	200	250
	0,0029	0,0046	0,0078	0,0126	0,0203

PRODUCT KEY

CIRCULAR SWIRL DIFFUSER FOR INTERALU SAPP CEILING

W	R	2	3	0	-	S	A	P	P	0	1	6	0
---	---	---	---	---	---	---	---	---	---	---	---	---	---

Nominal size ØN (mm):
100, 125, 160, 200, 250

2: Without central screw fixing
3: With central screw fixing

TRANSITION PIECE WITH PERFORATED PLATE FOR AIR DISTRIBUTION

W	P	2	1	0	T	0	1	6	0
---	---	---	---	---	---	---	---	---	---

Nominal size ØN (mm):
125, 160, 200, 250

0: Without mounting bracket for central screw fixing
1: With mounting bracket for central screw fixing

REDUCED PLENUM FOR SWIRL DIFFUSER WR230-SAPP

W	P	2	1	0	L	-	-	0	S	A	P	P	0	1	6	0
---	---	---	---	---	---	---	---	---	---	---	---	---	---	---	---	---

Nominal size ØN (mm):
125, 160, 200, 250

0: Without mounting straps

-: Without damper

-: Non insulated plenum

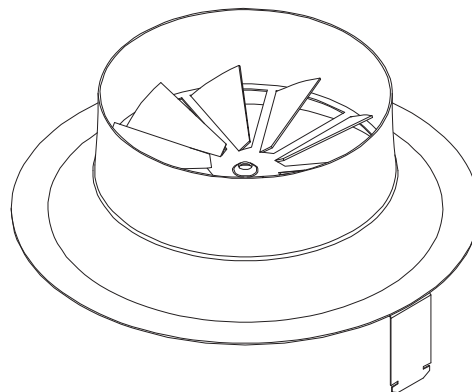
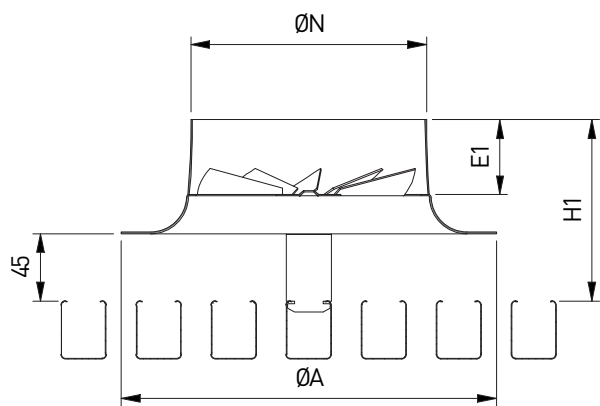
L: Reduced plenum with side connection

DIMENSIONS

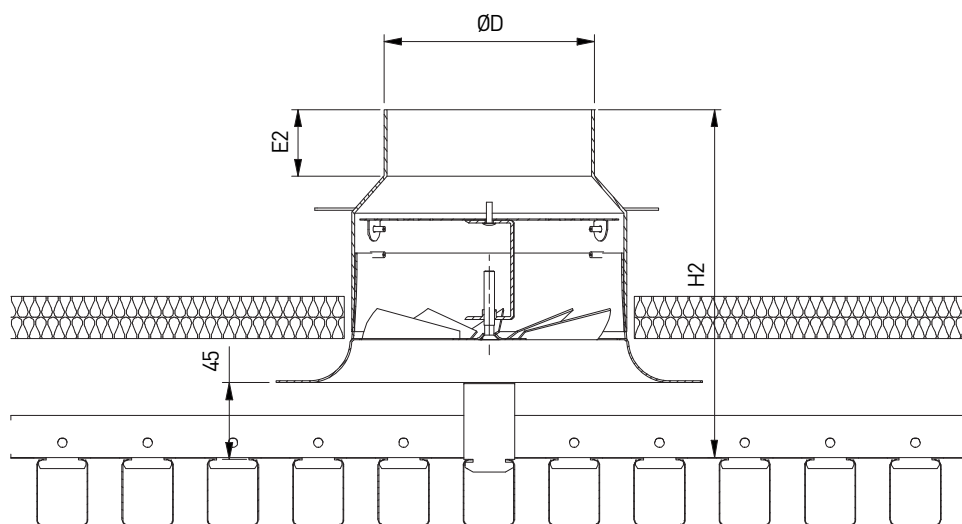
ØN	ØA	ØD	E1	E2	E3	H	H1	H2	H3	W
100	160	-	50	-	-	-	110	-	-	-
125	200	100	50	39	58	207	120	221	125	275
160	250	125	50	39	58	232	121	227	132	325
200	300	160	50	39	58	262	121	227	142	376
250	350	200	50	39	78	317	118	228	172	475

All dimensions in mm

WR230-SAPP



WR230-SAPP + WP210T



WR230-SAPP + WP210L--OSAPP

