

# DR160

## ROUND DIFFUSER WITH FIXED PATTERN



### VARIANTS

DR160, DR170, DR160P

The painted steel diffuser type DR160 is used for the supply and exhaust of cooled or heated air in facilities such as offices, shopping centres,... The diffuser has a fixed horizontal air pattern and can be used for ceiling or exposed duct mounting.

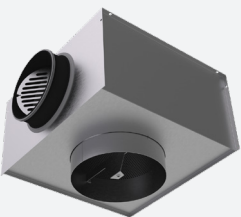
Fixed horizontal air pattern

For ceiling or exposed duct mounting

### ACCESSORIES



GR003



WP210S



DT004



ROND



ZICHTBAAR  
ROND KANAAL



PLAFOND



ROND



TOEVOER



AFVOER

### TECHNICAL INFORMATION

APPLICATION	Type	Supply or exhaust
	Airflow direction	Radial horizontal
CONSTRUCTION	Frontplate	Fixed non-protruding circular cones
	Available nominal diameters	Ø160, 200, 250, 315mm
MATERIAL	Standard material	Steel
	Standard finishing	Powder coating RAL9010
	Product finishing options	Powder coating RAL of choice
MOUNTING	Mounting options	With visible screws (DR160) or with central screw fixing (DR170) in combination with a mounting bracket (GR003)

### QUICK SELECTION

Supply $Q_v$ [m <sup>3</sup> /h]		
ØN [mm]	$L_w$	
160	25 dB(A)	202
	35 dB(A)	285
200	25 dB(A)	245
	35 dB(A)	346
250	25 dB(A)	335
	35 dB(A)	467
315	25 dB(A)	479
	35 dB(A)	671

## PRODUCT KEY

## ROUND DIFFUSER WITH FIXED PATTERN

D	R	1	6	0	-	F	0	2	5	0
---	---	---	---	---	---	---	---	---	---	---

Nominal diameter N (mm):  
160, 200, 250, 315

F: Coated

6: Visible screws fixing  
7: Central screw fixing

R: Round flange with raised edge

## ROUND DIFFUSER WITH FIXED PATTERN FOR LAY-IN IN MODULAR CEILING SYSTEMS

D	S	1	7	0	-	F	0	2	5	0	0	5	9	4
---	---	---	---	---	---	---	---	---	---	---	---	---	---	---

Nominal diameter N (mm):  
160, 200, 250, 315

Panel size (mm):  
594

F: Coated

7: Central screw fixing

S: Mounted on panel

## PLENUM FOR ROUND CEILING DIFFUSER

W	P	2	1	0	S	-	-	0	0	2	5	0	0	2	0	0
---	---	---	---	---	---	---	---	---	---	---	---	---	---	---	---	---

Nominal diameter N (mm):  
160, 200, 250, 315

Connection diameter D (mm):  
125, 160, 200, 250

0: Without mounting straps  
1: With mounting straps

-: Without damper  
D: With damper

-: Non insulated plenum  
G: Insulated plenum  
H: Half insulated plenum

S: Side connection

1: Central screw fixing

## MOUNTING BRACKET

G	R	0	0	3	0	2	5	0
---	---	---	---	---	---	---	---	---

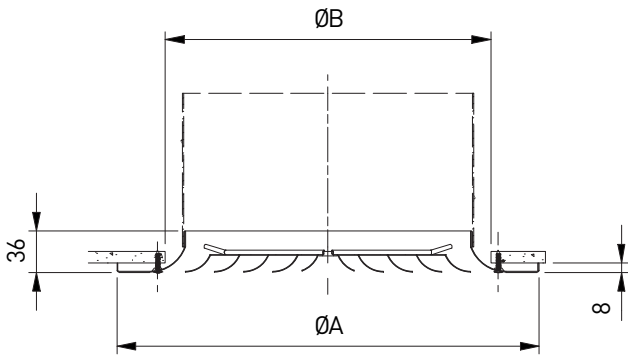
Nominal diameter N (mm):  
160, 200, 250, 315

## VOLUME CONTROL

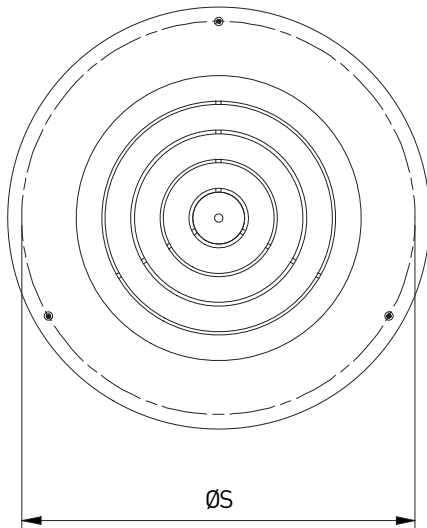
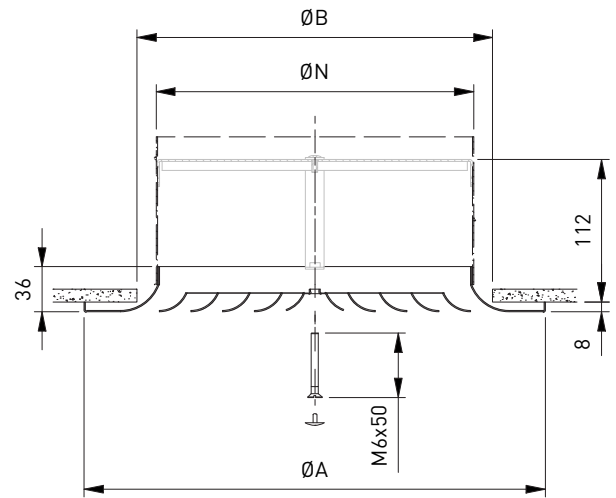
D	T	0	0	4	0	2	5	0
---	---	---	---	---	---	---	---	---

Nominal diameter N (mm):  
160, 200, 250, 315

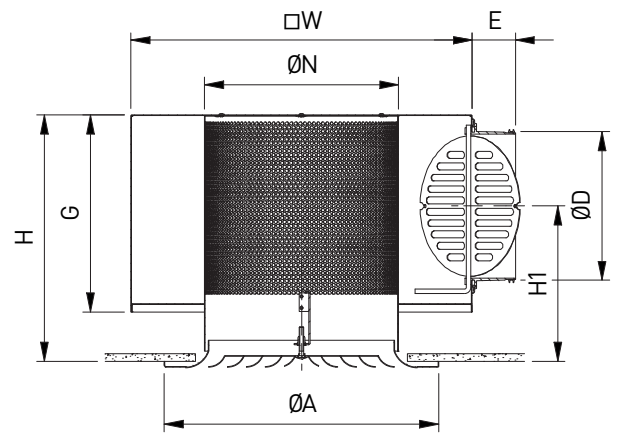
DR160



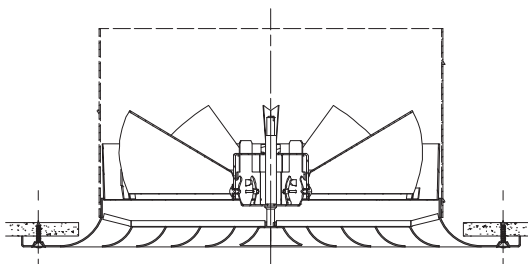
DR170 + GR003



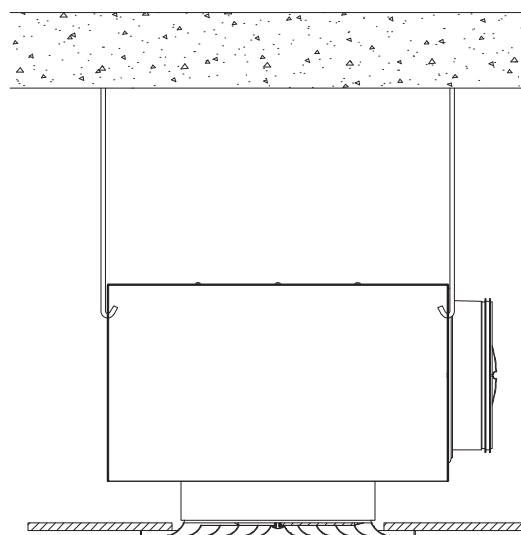
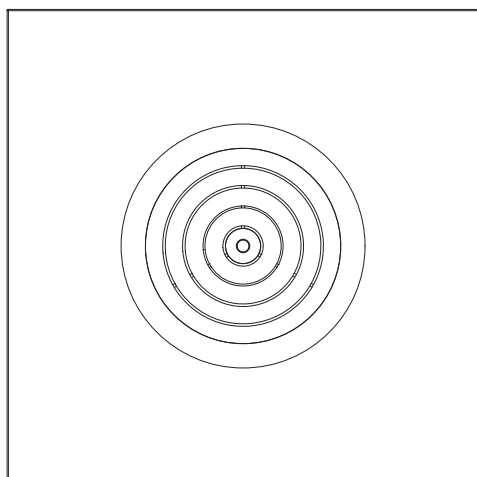
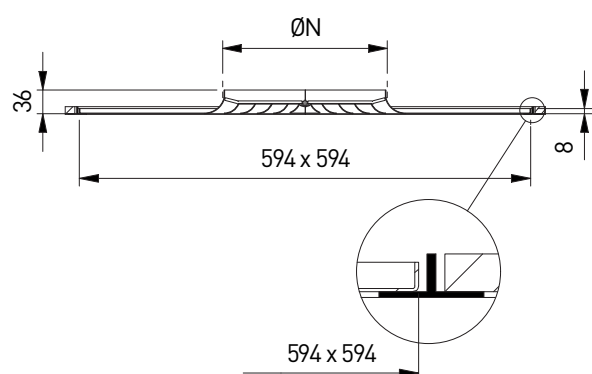
DR170 + WP210S



DR160 + DT004



DS170



## DIMENSIONS

$\varnothing N$	$\varnothing A$	$\varnothing B$	$\varnothing D$	E	G	H	H1	$\varnothing S$	W
160	248	190	125	58	185	249	166.5	223	325
200	298	230	160	58	220	284	184	273	375
250	363	280	200	58	260	324	204	338	450
315	448	350	250	49	310	374	229	423	500

All dimensions in mm