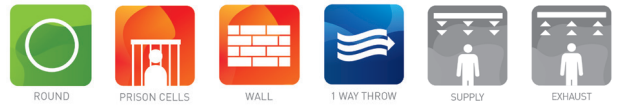
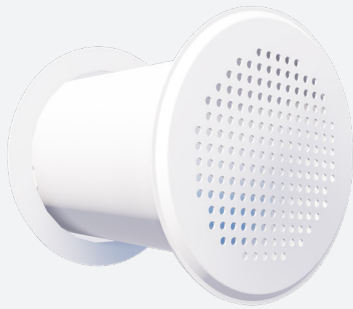


GP360

ROUND STEEL SAFETY GRILLE



VARIANTS

GP360

The circular and firm grille type GP360 is used for the supply and the exhaust of air in prison cells and detention facilities. The fixation is especially designed to make removal from the inside of the cell impossible. The locking is secured at the back side of the wall by means of a mounting ring that is riveted/screwed to the body. Execution in steel, standard finish painted white (RAL9010).

Grille with face out of perforated plate 23% free passage

Frontplate welded to pipe

TECHNICAL INFORMATION

APPLICATION	Type	Supply or exhaust
	Direction	One direction, not adjustable
CONSTRUCTION	Frontplate	Perforations $\varnothing 4,5\text{mm}$, 23% free passage, welded to pipe
	Available diameters	100, 125, 160, 200mm
	Min. length	150mm
	Max. length	300mm
	Available steps in length	30mm
	Max. wall thicknesses	280mm
MATERIAL	Standard material	Painted steel
	Standard finishing	Powder coating RAL9010
	Product finishing options	Powder coating RAL of choice
MOUNTING	Mounting options	Mounting ring to be fixed at the back side of the wall

QUICK SELECTION

GP360-F/100 - Supply

Q _v [m ³ /h]	PS [Pa]	NR [-]	L _w (A) [dB(A)]	125 Hz	250 Hz	500 Hz	1 kHz	2 kHz	4 kHz	8 kHz
47	52	15	21	26	21	18	15	11	9	0
55	71	20	25	28	24	21	20	16	14	8
63	95	25	29	30	26	25	24	20	20	15
72	127	30	33	32	29	28	28	24	25	21
83	170	35	37	34	32	32	32	29	30	28
95	228	40	42	36	34	35	36	33	35	35

GP360-F/100 - Exhaust

Q _v [m ³ /h]	PS [Pa]	NR [-]	L _w (A) [dB(A)]	125 Hz	250 Hz	500 Hz	1 kHz	2 kHz	4 kHz	8 kHz
42	35	15	21	29	23	17	15	12	7	-
49	50	20	25	32	26	21	20	17	13	2
59	70	25	30	35	29	25	25	22	20	11
67	93	30	34	37	31	29	29	26	25	18
77	123	35	38	40	34	32	33	30	30	25
89	163	40	42	42	36	35	36	34	35	33

GP360-F/125 - Supply

Q _v [m ³ /h]	PS [Pa]	NR [-]	L _w (A) [dB(A)]	125 Hz	250 Hz	500 Hz	1 kHz	2 kHz	4 kHz	8 kHz
69	44	15	21	28	23	19	15	9	7	-
82	62	20	25	30	26	23	20	15	14	5
96	84	25	30	32	28	27	25	20	20	13
111	111	30	34	33	30	30	29	25	25	21
128	146	35	38	35	33	33	33	29	30	28
148	193	40	42	37	35	36	37	34	35	35

GP360-F/125 - Exhaust

Q _v [m ³ /h]	PS [Pa]	NR [-]	L _w (A) [dB(A)]	125 Hz	250 Hz	500 Hz	1 kHz	2 kHz	4 kHz	8 kHz
62	28	15	20	28	20	17	15	11	4	-
75	40	20	25	31	23	21	20	17	11	-
89	57	25	29	34	27	24	25	22	18	7
106	79	30	34	38	30	28	29	27	25	16
120	102	35	38	40	32	31	33	31	30	24
137	132	40	42	43	35	34	36	34	35	31

QUICK SELECTION

GP360-F/160 - Supply										
Q _v [m ³ /h]	PS [Pa]	NR [-]	L _w (A) [dB(A)]	125 Hz	250 Hz	500 Hz	1 kHz	2 kHz	4 kHz	8 kHz
114	37	15	21	28	23	19	14	9	5	-
139	55	20	26	31	27	24	20	16	13	4
162	75	25	30	33	29	28	25	21	20	13
183	97	30	34	34	31	31	29	26	25	20
207	124	35	38	36	33	34	33	30	30	27
235	160	40	42	38	35	37	36	34	35	34

GP360-F/160 - Exhaust										
Q _v [m ³ /h]	PS [Pa]	NR [-]	L _w (A) [dB(A)]	125 Hz	250 Hz	500 Hz	1 kHz	2 kHz	4 kHz	8 kHz
102	26	15	21	30	23	18	15	12	3	-
121	36	20	25	33	26	22	19	17	10	-
145	52	25	30	36	29	26	24	22	17	4
173	73	30	34	39	33	29	29	27	24	15
200	98	35	38	42	35	33	33	31	30	24
227	126	40	42	44	38	35	36	35	35	32

GP360-F/200 - Supply										
Q _v [m ³ /h]	PS [Pa]	NR [-]	L _w (A) [dB(A)]	125 Hz	250 Hz	500 Hz	1 kHz	2 kHz	4 kHz	8 kHz
171	37	15	21	28	21	19	15	11	8	-
201	51	20	25	30	24	23	20	17	14	3
227	64	25	29	32	27	26	23	21	20	11
256	82	30	33	33	29	29	27	25	25	18
289	104	35	37	35	31	31	31	29	30	25
326	133	40	41	36	33	34	34	33	35	33

GP360-F/200 - Exhaust										
Q _v [m ³ /h]	PS [Pa]	NR [-]	L _w (A) [dB(A)]	125 Hz	250 Hz	500 Hz	1 kHz	2 kHz	4 kHz	8 kHz
137	23	15	21	33	26	15	11	6	-	-
184	40	20	27	37	31	22	20	17	10	-
214	55	25	31	40	33	26	24	22	19	6
239	68	30	34	41	35	28	28	26	25	14
261	82	35	37	43	36	30	30	29	30	20
286	99	40	40	44	38	33	33	32	35	26

EFFECTIVE AIR DISCHARGE AREA

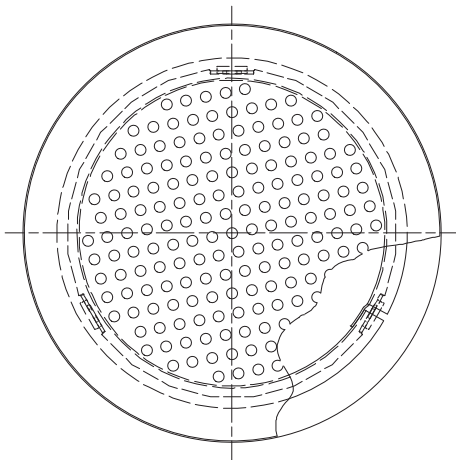
A _e [m ²]	ØN [mm]			
	100	125	160	200
	0.0017	0.0028	0.0046	0.0072

PRODUCT KEY



G	P	3	6	0	-	F	1	2	5	1	8	0
							Nominal diameter N (mm): 100, 125, 160, 200			Nominal length L (mm): From 150 to 300mm, per 30mm		
						F: Coated						
			6: Male connection diameter									
			7: Female connection diameter, possibility to insert a cartridge butterfly fire damper									

GP360



DIMENSIONS

ØN	ØA
100	140
125	165
160	200
200	240

All dimensions in mm

