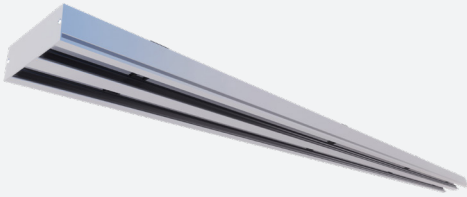
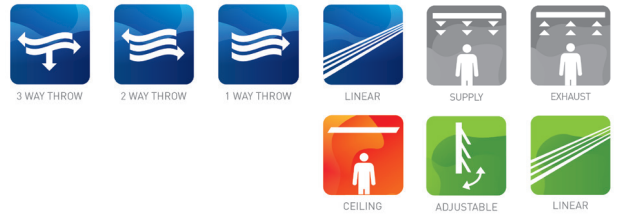


# SLB

## ALUMINIUM ADJUSTABLE SLOT DIFFUSER WITHOUT FLANGE



### VARIANTS

SLB

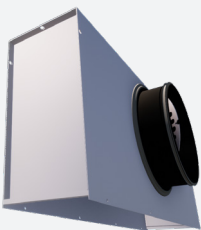
The adjustable slot diffuser type SLB is suitable for the supply and exhaust of cooled and heated air, designed for installation in slat ceilings. Each slot is individually adjustable and is equipped with 2 specially designed discrete deflectors. This results in an ideal air flow pattern that can be adjusted by 180° (vertical and horizontal air flow). Available in several lengths, and in multiple middle and end sections to create a linear diffuser up to any length.

Sleek design with discrete aluminium deflectors (Slot width 25mm)

Frameless version is ideally for installation in slat ceiling

Wide temperature range for both heating and cooling

### ACCESSORIES



SPB



BOBSL

### TECHNICAL INFORMATION

|              |                           |   |
|--------------|---------------------------|---|
| APPLICATION  | Airflow direction         | Lateral, axial, adjustable  |
|              | Airflow type              | Linear, exhaust or supply   |
| CONSTRUCTION | Shape                     | Lineair   |
|              | Min. Length               | 300mm   |
|              | Max. length               | 2000mm  |
|              | Available steps in length | 1mm   |
|              | Number of slots           | 1,2,3,4,5,6   |
|              | Flange size               | 0mm   |
|              | Slot width                | 25mm  |
|              | Installation depth        | 34mm  |
| MATERIAL     | Standard material         | Extruded aluminium  |
|              | Standard finishing        | Satin anodized 11µm   |
|              | Product finishing options | Powder coating RAL  |
|              | Deflectors                | Powder coated extruded aluminium  |
|              | Deflector fixation piece  | POM   |
| MOUNTING     | Mounting options          | Fixed mounting on SPB plenum box  |
| PLENUM       | Material                  | Galvanised [275g/m <sup>2</sup> ] steel sheet, PP/TPE spigot            |
|              | Optional insulation       | Melamine 6mm  |
|              | Spigot                    | Class D spigot with double lip seal                                     |
|              | Volume control            | Optional perforated volume flow control disk inside the spigot          |
|              | Mounting options          | Mounting eyes (Ø7mm) standard, mounting brackets available upon request |

### QUICK SELECTION

|       | Supply Q <sub>v</sub> [m <sup>3</sup> /h] | L [mm]         |     |      |      |
|-------|---|----------------|-----|------|------|
|       |   | L <sub>w</sub> | 600 | 1000 | 1500 |
| SLB-1 | 25 dB(A)                                  | 64             | 99  | 138  | 174  |
|       | 35 dB(A)                                  | 91             | 140 | 195  | 246  |
| SLB-2 | 25 dB(A)                                  | 137            | 212 | 296  | 374  |
|       | 35 dB(A)                                  | 192            | 296 | 414  | 524  |
| SLB-3 | 25 dB(A)                                  | 166            | 256 | 356  | 450  |
|       | 35 dB(A)                                  | 235            | 362 | 504  | 637  |
| SLB-4 | 25 dB(A)                                  | 206            | 320 | 449  | 569  |
|       | 35 dB(A)                                  | 286            | 442 | 619  | 786  |
| SLB-5 | 25 dB(A)                                  | 263            | 406 | 567  | 718  |
|       | 35 dB(A)                                  | 368            | 568 | 793  | 1004 |
| SLB-6 | 25 dB(A)                                  | 270            | 417 | 582  | 737  |
|       | 35 dB(A)                                  | 376            | 581 | 812  | 1029 |

### EFFECTIVE AIR DISCHARGE AREA

| Supply A <sub>k</sub> [m <sup>2</sup> /m] | SLB-1  | SLB-2  | SLB-3  | SLB-4  | SLB-5  | SLB-6  |
|---|--------|--------|--------|--------|--------|--------|
|   | 0.0174 | 0.0264 | 0.0354 | 0.0444 | 0.0623 | 0.0748 |

PRODUCT KEY

SLOT DIFFUSER WITHOUT FLANGE SLB

|   |   |   |   |   |   |   |   |   |   |   |
|---|---|---|---|---|---|---|---|---|---|---|
| S | L | B | 1 | 2 | - | - | 1 | 2 | 0 | 0 |
|---|---|---|---|---|---|---|---|---|---|---|

Slot length L (mm):  
From 300 to 2000mm, per 1mm

-: Naturel anodised  
F: Coated

-: Standard  
E: End piece  
M: Intermediate piece

1: 1 slot  
(1 to 6 slots)

0: Without deflectors, without spacers  
1: Black deflectors RAL9005 MATT, black spacers  
2: White deflectors RAL9010, white spacers  
3: White deflectors RAL9016 MATT, white spacers  
4: White deflectors RAL9003 MATT, white spacers  
5: Deflectors painted in color by choice, black spacers  
6: Deflectors painted in color by choice, white spacers

PLENUM SPB FOR DIRECT MOUNTING ON SLOT DIFFUSER SLB

|   |   |   |   |   |   |   |   |   |   |   |   |   |   |   |   |   |   |
|---|---|---|---|---|---|---|---|---|---|---|---|---|---|---|---|---|---|
| S | P | B | 0 | 2 | - | S | - | - | 0 | 0 | 1 | 6 | 0 | 1 | 2 | 0 | 0 |
|---|---|---|---|---|---|---|---|---|---|---|---|---|---|---|---|---|---|

Nominal diameter (mm):  
80, 100, 125, 160, 200, 250, or 315  
Slot length <=1600:  
1 diameter  
Slot length >=1601:  
2 diameters

Slot length L (mm):  
From 300 to 2000mm, per 1mm

0: Without mounting straps  
1: With mounting straps

-: Without damper  
D: With damper

-: Non insulated plenum  
G: Insulated plenum  
H: Half insulated plenum

S: Side connection

-: Standard  
L: End piece left (looking at plenum front into the inlet of the connection collar)  
M: Intermediate piece  
R: End piece right (looking at plenum front into the inlet of the connection collar)

1: 1 slot  
(1 to 6 slots)

PRODUCT KEY

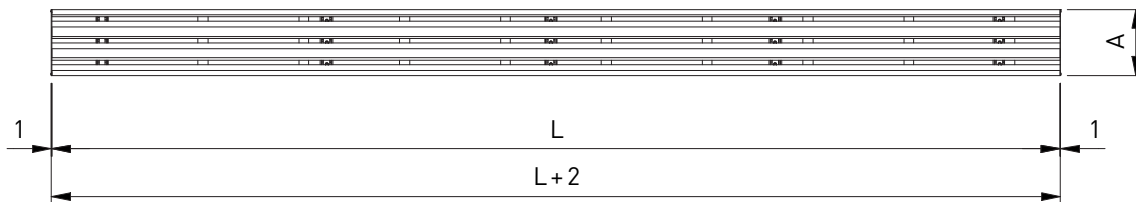
SLOT DIFFUSER SLB WITH PLENUM SPB (MOUNTED)

| S | L | B | 1 | 2 | - | - | S | - | - | 0 | 1   | 2 | 0 | 0 |
|---|---|---|---|---|---|---|---|---|---|---|---|---|---|---|
|   |   |   |   |   |   |   |   |   |   |   | Slot length L (mm):<br>From 300 to 2000mm, per 1mm  |   |   |   |
|   |   |   |   |   |   |   |   |   |   |   | 0: Without mounting straps<br>1: With mounting straps   |   |   |   |
|   |   |   |   |   |   |   |   |   |   |   | -: Without damper<br>D: With damper   |   |   |   |
|   |   |   |   |   |   |   |   |   |   |   | -: Non insulated plenum<br>G: Insulated plenum<br>H: Half insulated plenum  |   |   |   |
|   |   |   |   |   |   |   |   |   |   |   | S: Side connection  |   |   |   |
|   |   |   |   |   |   |   |   |   |   |   | -: Naturel anodised<br>F: Coated  |   |   |   |
|   |   |   |   |   |   |   |   |   |   |   | -: Standard<br>L: End piece left (looking at plenum front into the inlet of the connection collar)<br>M: Intermediate piece<br>R: End piece right (looking at plenum front into the inlet of the connection collar)   |   |   |   |
|   |   |   |   |   |   |   |   |   |   |   | 1: 1 slot<br>(1 to 6 slots)   |   |   |   |
|   |   |   |   |   |   |   |   |   |   |   | 0: Without deflectors, without spacers<br>1: Black deflectors RAL9005 MATT, black spacers<br>2: White deflectors RAL9010, white spacers<br>3: White deflectors RAL9016 MATT, white spacers<br>4: White deflectors RAL9003 MATT, white spacers<br>5: Deflectors painted in color by choice, black spacers<br>6: Deflectors painted in color by choice, white spacers |   |   |   |

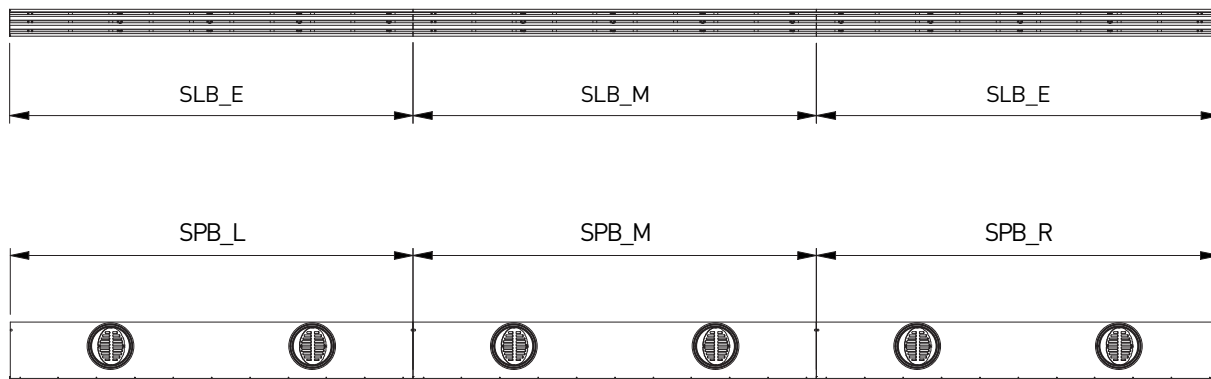
DUMMY PLATE BOBSL FOR SLOT DIFFUSER SLB (DIRECT MOUNTING)

| B | 0 | B | S | L | 0 | 2 | 1 | 2  | 0 | 0 |
|---|---|---|---|---|---|---|---|--|---|---|
|   |   |   |   |   |   |   |   | Length dummy plate (mm):<br>From 20 to 2000mm, per 1mm |   |   |
|   |   |   |   |   |   |   |   | 1: 1 slot<br>(1 to 6 slots)                            |   |   |

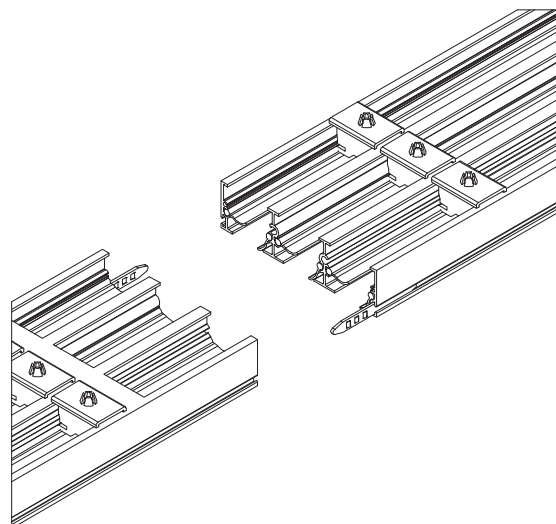
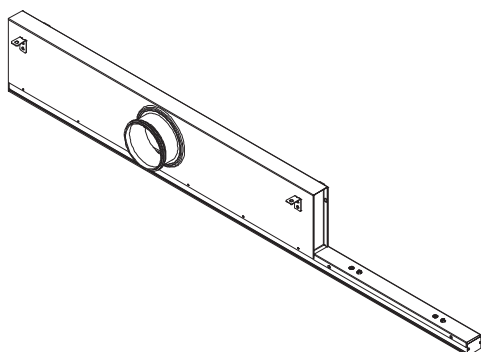
SLB



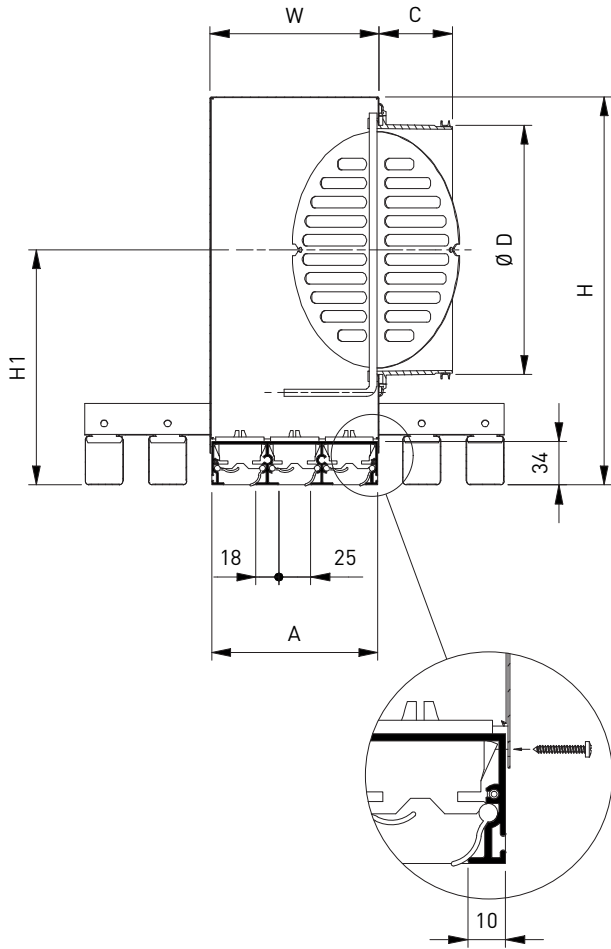
LINEAR: END PIECES AND INTERMEDIATE PIECES



SLB11-F/1500  
 +SPB01LS--1/125/1000  
 +BOBSL01/500



SLB + SPB



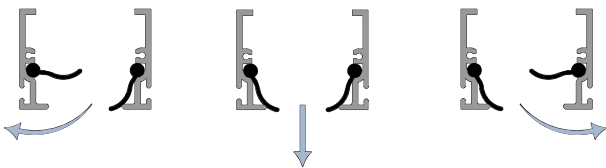
DIMENSIONS

|           | Number of slots - SLB + SPB |     |     |     |     |     |
|-----------|-----------------------------|-----|-----|-----|-----|-----|
|           | 1                           | 2   | 3   | 4   | 5   | 6   |
| <b>A</b>  | 45                          | 88  | 131 | 174 | 217 | 260 |
| <b>C</b>  | 58                          | 58  | 58  | 58  | 78  | 78  |
| <b>ØD</b> | 123                         | 158 | 198 | 198 | 248 | 248 |
| <b>H</b>  | 205                         | 255 | 305 | 305 | 355 | 355 |
| <b>H1</b> | 123                         | 155 | 185 | 185 | 210 | 210 |
| <b>W</b>  | 46                          | 89  | 132 | 175 | 219 | 262 |

All dimensions in mm

L <= 1600: 1 diameter

L >= 1601: 2 diameters



AIRFLOW DIRECTION